

OWS33-RO Reverse Osmosis Office Water System



The OWS33-RO Reverse Osmosis System was designed to provide exceptional tasting water to any water cooler.

The OWS33-RO system reduces nitrates, heavy metals, total dissolved solids, cyst, sediment, chlorine taste and odor, calcium and magnesium, and more.

The 33 gallon per day* high flux membrane provides higher water output to accommodate small to mid-size office environments.

The TFC (Thin Film Composite) membrane allows for higher rejection rates than other style membranes, ensuring superior water quality.

The combination sediment/carbon prefilter extends the life of the RO membrane while the post filter polishes, leaving the water ideal for consuming.

Optional 2.5 gallon bladder tank is available.

For both chlorinated and non-chlorinated water.

A True Choice for Improved Water Quality

Reverse Osmosis, Office Water System

OWS33-RO

Capacity: 33 gallons* (125 liters) production

Features

- 0.0005 Micron
- TFC Membrane Technology
- Combined sediment/carbon pre-treatment
- Carbon Block Post Filter

Benefits

- Submicron rating for superior water quality
- High production membrane
- Reduction of Nitrates, heavy metals, TDS and Cyst
- Sediment and chlorine reduction prolongs membrane life
- Ensures great tasting water.

* Gallons per day based on 60 psi (414 kPa), 77°F (25°C) water temperature and 500 ppm (parts per million) TDS (Total Dissolved Solids)

Quotation for Specified CunoOCS® Water Filters

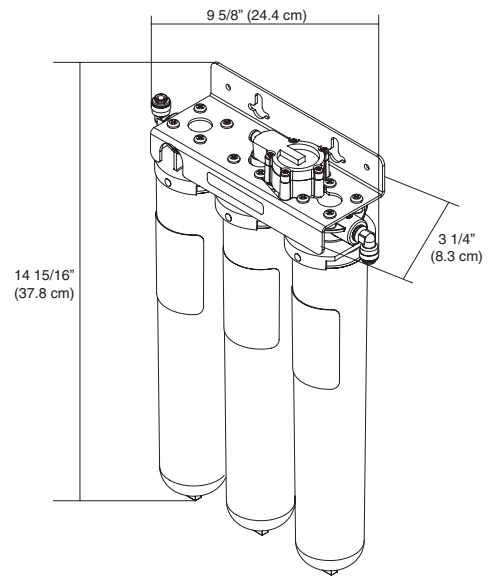
Specified Model # _____

Part # _____

Price Quoted _____

Installed on what equipment _____

Quantity Required _____



Applications/Specifications

Model#	Part#	System Dimensions inches (cm)	Replacement Cartridge/Membrane	Part#	Chlorine Taste/Odor	Scale Reduction	Sediment Reduction	TDS Removal	Nitrate Reduction	Cyst Reduction	Particle Removal (Microns)	Capacity gpd (lpd)	Flow Rate gpm (lpm)	Carton Wt, lbs. (kilos)	Carton Dimensions in. (cm)	Case Qty
OWS33-RO	56147-01	9.6 W x 3.25 D x 14.9 H (24.4 x 8.3 x 37.8.5)	Cartpack Pre/Post Filters	56136-03	✓		✓					33 (124.9)	N/A	6 (2.72)	17" L x 17" W x 5" D (43.2 x 43.2 x 12.7)	1
			Membrane 33-RO	55987-18		✓	✓	✓	0.0005							

For cold water use only. This product is for commercial use only. All materials are FDA compliant with CFR title 21. This is a mechanical, chemical filter.

Do not use with water that is microbiologically unsafe or of unknown quality without adequate disinfection before or after the system.

Systems certified for cyst reduction may be used on disinfected water that may contain filterable cysts. EPA Establishment Number 070595-CT-001

Distributed By:

LIMITED FIVE YEAR WARRANTY

CUNO Incorporated warrants to the original purchaser-consumer that this product is free of defects in materials and workmanship. Any defect, malfunction, or other failure of the product to conform to this warranty will be remedied by CUNO.

This warranty, together with any and all warranties implied by law, shall be limited to a duration of five (5) years from the original purchase by the consumer.

This warranty does not apply to defects that result from abuse, misuse, alteration or damage not caused by CUNO. See warranty card for full details.

Service Worldwide

CUNO Pacific Pty. Ltd
P.O. Box 6767
140 Sunnyholt Road
Blacktown, N.S.W. 2148 Australia

CUNO Filtration Asia Pte. Ltd.
1 Tech Park Crescent
Tuas Tech Park
Singapore 638131

CUNO Europe S.A.
1 Boulevard de l'OLSE
95030 Cergy-Pontoise Cedex
France



CUNO K.K.
Hodogaya Station Building 6F
1-7 Iwai-cho, Hodogaya-ku
Yokohama, 240 Japan

Commercial Intertech Do Brazil - Divisão CUNO
Rua Amf Do Brazil 251
18120-000 Mairinque-Sp
Brazil

CUNO Incorporated
400 Research Parkway
Meriden, CT 06450 U.S.A.
Toll Free: 1-888-218-CUNO
Worldwide: 203-237-5541
Fax: 203-238-8701
www.cuno.com