

Reverse Osmosis Tanks

Application

- Steamer Equipment

Reverse Osmosis Systems

Spec No. _____

Quantity _____



Product Features

- ◆ 1" to 1-1/4" NPT female connections allow for easy installation.
- ◆ 100% Seamless construction provides an impermeable environment and minimal leak points.
- ◆ Vessel has the ability to discharge in any position allowing it to be situated in space restricted areas for installation convenience.
- ◆ Disinfection kit provided with all models.
- ◆ Reducing bushings to 3/8" NPT and John Guest 1/2" tube provided.

High quality tanks are appropriately sized for boiler-based steamer units up to 300,000 BTUs or 48 Kw. Tanks can be plumbed together to accommodate larger steamer operations. Fittings are designed to accept plumbing from all CFSRO units. Units are designed with 1" or 1 1/4" ball valve assemblies.

Product Specifications

| Model Number | Part Number | Capacity at 60 psi (414 kPa) |
|----------------------------------|-------------|------------------------------|
| 10 gallon FRP, 1" Ball Valve | 55912-01 | 10 gallon (37.9 liter) |
| 20 gallon FRP, 1" Ball Valve | 55912-02 | 20 gallon (75.7 liter) |
| 40 gallon FRP, 1 1/4" Ball Valve | 55912-03 | 40 gallon (151.4 liter) |



Water Filter Systems

Foodservice

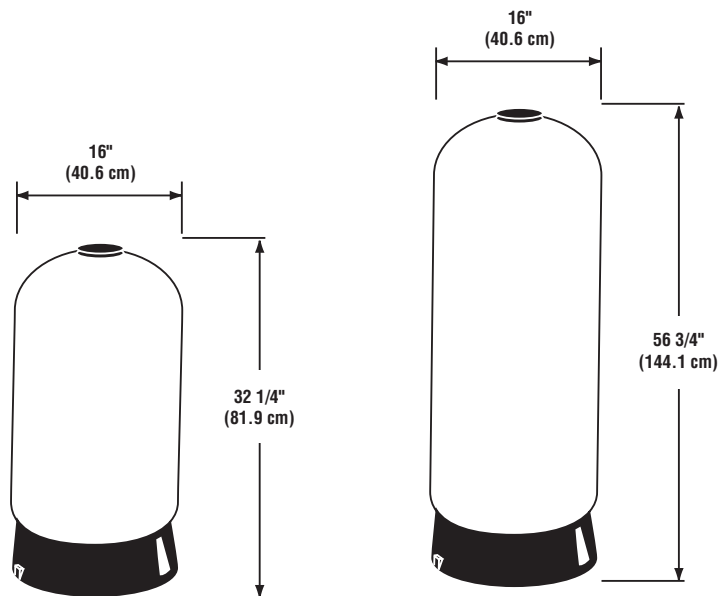
Reverse Osmosis Tanks

Reverse Osmosis System

Spec No. _____
 Quantity _____
 Model Number _____
 Part Number _____

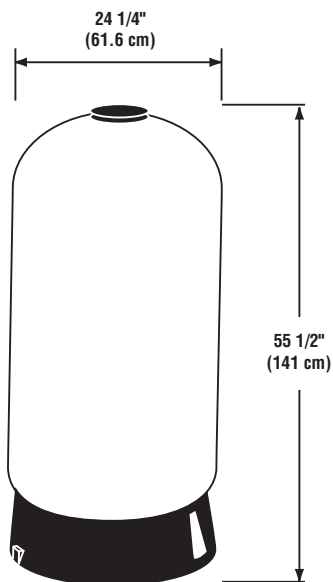
Physical Specifications:

- Tank to be 100% seamless construction.
- Tank liner to be polyethylene.
- Tank exterior to be fiberglass wrap.
- Maximum pressure at 125 psi (862 kPa) at 100°F (38°C).



10 Gallon
(37.9 Liter)

20 Gallon
(75.7 Liter)



40 Gallon
(151.4 Liter)

Do not use with water that is microbiologically unsafe or of unknown quality without adequate disinfection before or after the system.

CUNO Incorporated recommends regularly scheduled maintenance and replacement of the filter cartridge(s) in order for the product to perform as advertised/sold.

Service Worldwide

China
 CUNO Filtration Shanghai Co. Ltd.
 No. 2 Plant East Side
 Xin Miao San Road
 XinQiao Town SongJiang District
 Shanghai, China 201612

Australia
 CUNO Pacific Pty Ltd.
 140 Sunnyholt Road
 Blacktown, N.S.W. 2148
 Australia

Europe
 CUNO Limited
 21 Woking Business Park
 Albert Drive
 Woking, Surrey
 GU21 5JY, England



Japan
 CUNO K.K.
 Hodogaya Station Building 6F
 1-7, Iwai-Cho, Hodogaya-Ku
 Yokohama 240-0023, Japan

Brazil
 CUNO Latina Ltda
 Rua AMF do Brazil - 251
 18120 Mairinque-SP, Brazil

Singapore
 CUNO Filtration Asia Pte Ltd
 18 Tuas Link 1
 3rd Floor
 Singapore 638599

CUNO Incorporated
 400 Research Parkway
 Meriden, CT 06450, USA
 Toll Free: 1-888-218-CUNO
 Worldwide: 203-237-5541
 Fax: 203-238-8701