

Application

- Post-Mix Equipment

BevXpress™ Chloramine Reduction System

Spec No. _____

Quantity _____



CFSCRC

Rated for 30,000 gallons at 5 gpm
(Rated for 113,562 liters at 18.9 lpm)

Product Features

- ◆ Compact space-saving design allows for convenient placement.
- ◆ Quick disconnect fittings allow for ease of placement with minimal interruption of service.
- ◆ Design efficiency allows the system to be used alone or in series with prefiltration for enhanced contaminant reduction.
- ◆ FDA CFR-21 and/or NSF compliant materials provides peace of mind that this product is suitable for potable applications.
- ◆ Ports 3/4" male NPT quick connect fittings.

The BevXpress™ CFSCRC system is uniquely designed to treat chloramine-treated water supplies, which can cause a noticeable off-taste in diet beverages and iced tea. A proprietary high capacity carbon media removes all forms of chloramines and chlorine. The CFSCRC can maintain water quality when municipal disinfection practices have changed. The high flow rate and capacity can supply multiple carbonators or multiple pieces of equipment.

Product Specifications

Model Number	Part Number	Reduction Claims	Capacity	System Flow Rate	Application
CFSCRC	56055-02	Chloramine Reduction	30,000 gallons (113,562 liters)	5 gpm (18.9 lpm)	Where chloramines are used as a disinfectant on municipally supplied water



Visit www.nsf.org for the claims associated with products that are NSF listed.



Water Filter Systems
Foodservice

CFSCRC BevXpress™ Chloramine Reduction System

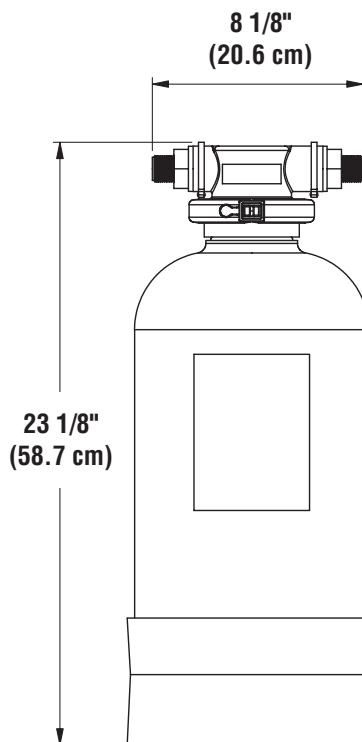
Spec No. _____
 Quantity _____
 Model Number _____
 Part Number _____

Physical Specifications:

- System to be sanitary in design, requiring no contact with the media during filter change-out.
 - System to reduce mono-, di-, and tri-chloramines.
 - System to be NSF listed under Standard 42 for the reduction of chloramines.
 - System to carry an NSF Performance Data Sheet*.
 - System to maintain a 5 gpm (18.9 lpm) service flow rate to accommodate standard post-mix units.
 - System fittings to be 3/4" male NPT quick connect fittings.
 - System to have maximum operating pressure of 125 psi (862 kPa) and operating temperature of 100°F (38°C).
 - System to use Uniflex™ quick disconnect head.
- * For NSF listed product.

Installation Tips:

- Shut off downstream equipment prior to installation of the system.
- Do not exceed operating parameters for temperature or pressure.
- Do not install outdoors.
- For cold water use only.
- For commercial use only.



Accessories

Description	Part Number	Usage	Includes
Installation Kit	56055-46	For flexible hose	(2) Brass barbed fittings, 1/2" OD (2) Brass couplers, 3/4" NPT
Flush Kit	56055-45	For use during system change-out	(1) Quick disconnect fitting, Male NPT (1) Nylon garden hose connection
Rebedding Kit	56055-05	For use during system change-out	(1) Filling funnel, (1) Distributor tube cap Chloram-X media, Gravel

Do not use with water that is microbiologically unsafe or of unknown quality without adequate disinfection before or after the system.

CUNO Incorporated recommends regularly scheduled maintenance and replacement of the filter cartridge(s) in order for the product to perform as advertised/sold.

Limited 5 Year Warranty

CUNO Incorporated warrants to the original purchaser-consumer that this product is free from defects in materials and workmanship. This warranty, together with any and all warranties implied by law, shall be limited to a period of five (5) years from the date of original purchase by the consumer. This warranty does not apply to failures that result from abuse, misuse, alteration or damage not caused by CUNO. This warranty is subject to exclusions and limitations. Please refer to the Warranty Card provided with the product for details.

Service Worldwide

China
 CUNO Filtration Shanghai Co. Ltd.
 No. 2 Plant East Side
 Xin Miao San Road
 XinQiao Town SongJiang District
 Shanghai, China 201612

Australia
 CUNO Pacific Pty Ltd.
 140 Sunnholt Road
 Blacktown, N.S.W. 2148
 Australia

Europe
 CUNO Limited
 21 Woking Business Park
 Albert Drive
 Woking, Surrey
 GU21 5JY, England



Japan
 CUNO K.K.
 Hodogaya Station Building 6F
 1-7, Iwai-Cho, Hodogaya-Ku
 Yokohama 240-0023, Japan

Brazil
 CUNO Latina Ltda
 Rua AMF do Brazil - 251
 18120 Mairinque-SP, Brazil

Singapore
 CUNO Filtration Asia Pte Ltd
 18 Tuas Link 1
 3rd Floor
 Singapore 638599

CUNO Incorporated
 400 Research Parkway
 Meriden, CT 06450, USA
 Toll Free: 1-888-218-CUNO
 Worldwide: 203-237-5541
 Fax: 203-238-8701